

Improve your business , Upgrade your software.

Discover the **Show Offer!**
EuroBLECH Hannover 2014
www.salvagninigroup.com/promoeb14/



Salvagnini guarantees the perfect integration and continuity between machine and office proprietary software. The Salvagnini software packages and their upgrades always include the most recent releases and new functions for an easier and more efficient use of the systems and a faster return of investment.

EDIT.P4

WHAT?

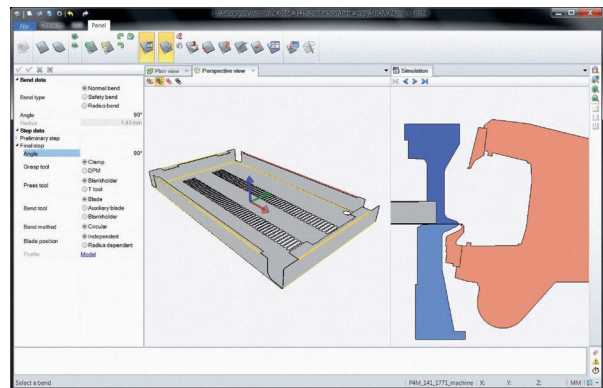
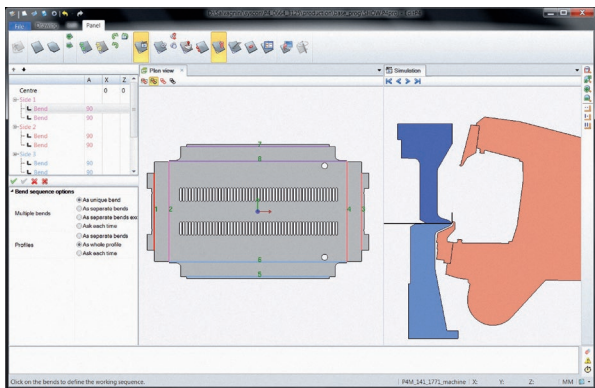
- Software for the assisted generation of programs for the Salvagnini panel benders.

WHERE?

- On all the Salvagnini P4X/P4Xe programming stations.

WHY?

- It allows 2D/3D drawings to be imported and new parts to be produced “live”.
- It guarantees the correct programming of panels assisting the user through a powerful graphic interface.
- It reduces time for prototyping and new products programming.



CAMBEND

WHAT?

- Software for the automatic generation of programs for the Salvagnini panel benders.

WHERE?

- On all the Salvagnini P4 programming stations.

WHY?

- It allows 3D drawings to be imported and new parts to be produced “live”.
- It guarantees the automatic programming of panels and the simulation of the machine cycle.
- It reduces programming time.

